

液位压力传感器

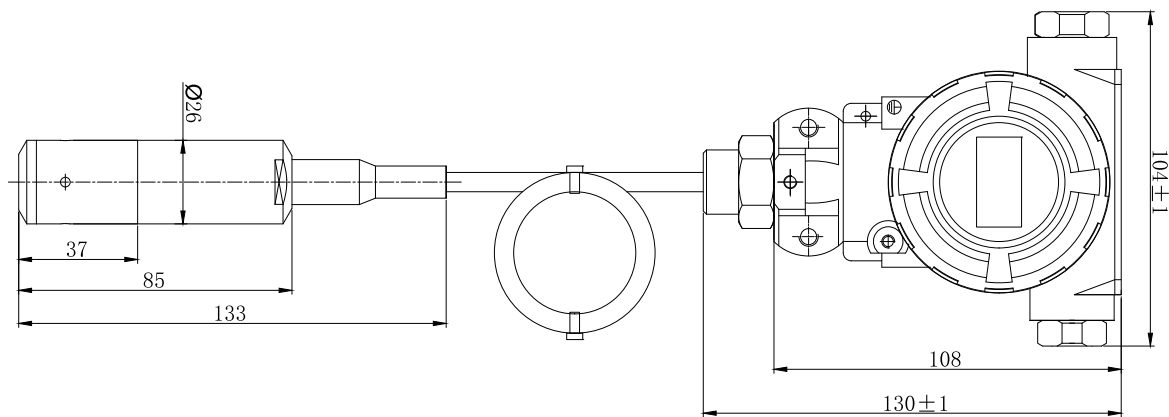
Pressure sensor

RPT8400系列

应用于工程机械、船舶、消防、水利、
航空、自动化、医疗、冶金、电力等领域

- 性能稳定，优异的 EMC性能
- 通过高低温、盐雾、温湿度测试
- 抗高频震动、冲击
- 防护等级可达 IP67
- 符合 RoHS CE 认证
- 符合防爆要求
- 可定制特殊型号

外形尺寸图 Dimensions:(mm)



| 技术参数 Technical Parameter | | | | |
|--------------------------|----------------------------------|---|----------------------------|-------------------------|
| 参数 | Specifications | 技术指标 Technical Data | | |
| 输入数据 | Input Data | | | |
| 液位范围 | Measuring ranges | 0~1...3...5...10...15...20...25...30...40...50...100 mH2O | | |
| 过载压力 | Overload pressures | 300%F.S | | |
| 爆破压力 | Burst pressures | 500%F.S | | |
| 机械接口 | Mechanical connection | G1/2-A | M20*1.5 | G1-A |
| 锁紧扭力 | Torque value | 30N.m | 30N.m | 35N.m |
| 介质接触物 | Parts in contact with medium | Mech connection:Stainless steel | | Seal:FKM 17-4PH |
| 输出数据 | Output data | | | |
| 输出信号 | Output signal | 4~20mA | 485 | 1~5V I2C 1~10V 0.5~4.5V |
| 精度 | Accuracy to DIN 16086 | ≤±0.5%F.S trp | | |
| | Max.setting | ≤±1%F.S max | | |
| 非线性 | Non-linearity at max.setting | ≤±0.3%F.S max | ≤±0.3%F.S max | |
| | To DIN16086 | | | |
| 迟滞性 | Hysteresis | ≤±0.1%F.S max | | |
| 重复精度 | Repeatability | ≤±0.03%F.S | | |
| 压力上升时间 | Rise time | ≤1 ms | | |
| 响应时间 | Response time | ≤0.5ms | | |
| 长期稳定性 | Long-term drift | ≤±0.1%F.S trp./year | | |
| 环境条件 | Environmental conditions | | | |
| 温度补偿 | Compensated temperature range | -25~+85°C | | |
| 工作温度 | Operating temperature range | -40~+125°C | | |
| 储存温度 | Storage temperature range | -40~+135°C | | |
| 流体温度 | Fluid temperature range | -40~+125°C | | |
| EMC 抗干扰 | EMC Test | EN 6100-4-2/3/4/5 | | |
| 耐振性 | Vibration resistance to | ≤30g | | |
| | DIN EN 60068-2-6 at 10~2000Hz | | | |
| 冲击 | Impact | 50g | | |
| 负载 | Load | RL ≥ 5k Ω | | |
| 防护等级 | Protection class to DIN 40050 | IP67, IP68 | | |
| 其他数据 | Other data | | | |
| 工作方式 | Operational Mode | 表压 Gauge | | |
| 工作电压 | Operating voltage | 24VDC(9~32VDC) | 3~3.6VDC | 5 ± 0.5VDC |
| 供电电流 | Power supply current | <10mA | | |
| 极性保护 | Polarity protection | ≥32VDC | ≥28VDC(5 ± 10%VDC 供电压力传感器) | |
| 耐电压保护 | Resistance to voltage protection | ≥50VDC | ≥28VDC(5 ± 10%VDC 供电压力传感器) | |

选型表 Model code

RPT84 XX-X-XX-XXX(000)

电气接口 Electrical connection

- 0 = flying lead
- 1 = M20*1.5
- 2 = 1/2NPT
- 3 = G1/2-A
- 5 = 客户定制

机械接口 Mechanical connection

- 1 = 不带螺纹
- 2 = G1/2-ADIN3852(male)
- 3 = 1/4-18NPT
- 4 = G1/4-ADIN3852-E
- 5 = G1/2-A
- 6 = G3/8-A
- 7 = M14*1.5
- 8 = M20*1.5
- M = 客户定制

输出信号 Signal

- A = 4~20mA, 2conductor
- B = 485, 4conductor
- C = 1~10V, 3conductor
- D = 1~5V, 3conductor
- E = I2C, 4conductor
- F = 0.5~4.5, 3conductor
- M = 客户定制

显示 Precision

- Y = 带数显
- N = 不带数显

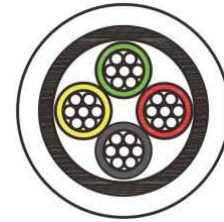
压力范围 (bar) Pressure ranges in bar

- 001 = 0~1mH2O
- 010 = 0~10 mH2O
- 050 = 0~50 mH2O
- 100 = 0~100 mH2O
- (液位范围 0~100 mH2O可选)

导线 Modification number

- 000 = 不带连接线
- 020 = 2m 电缆线 (含接头)
- 050 = 5m 电缆线 (含接头)

Flying lead



| Pin | RPT840X-A |
|-------|-----------|
| Red | +24VDC |
| Black | Signal+ |
| green | n.c. |
| white | n.c. |